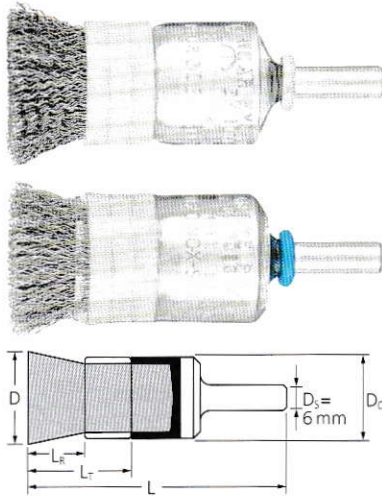


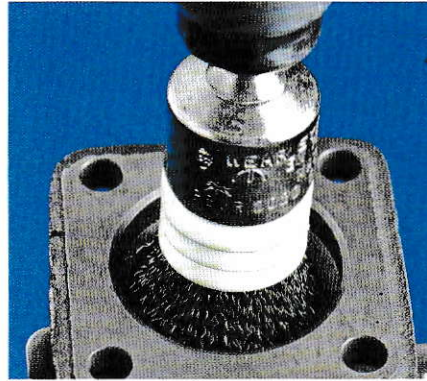
# Shank mounted end brushes

## crimped



### PBUR, with bridle

Suitable for light brushing such as deburring, cleaning and derusting.



#### Advantages:

- The bridle prevents the wires spreading out sideways.
- The bridle enables the spreading out and flexibility of the brush filament to be strictly controlled.
- Optimal access to hard-to-reach areas such as recesses and drilled holes.

#### Recommendations for use:

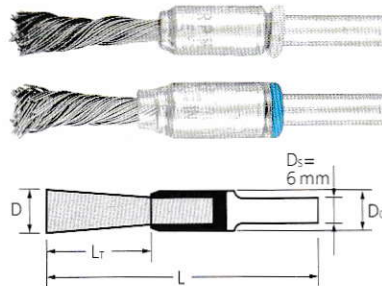
- For the best results, use a tool drive with a minimum output of 300 watts.

#### Ordering notes:

- Please complete the description with the desired filament material diameter ( $D_f$ ).

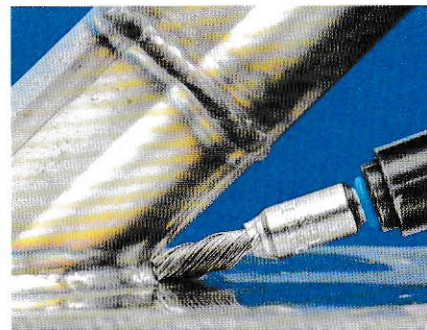
D [mm]	D <sub>c</sub> [mm]	L <sub>R</sub> [mm]	L <sub>T</sub> [mm]	L [mm]	D <sub>f</sub> [mm]		Opt. RPM	Max. RPM		Description
					0.20	0.35				
EAN 4007220										
<b>Steel wire (ST)</b>										
13	16	13	25	70	530962	530979	7,500–11,300	15,000	10	PBUR 1316/6 ST ...
20	22	13	25	70	530986	530993	6,300–9,400	12,500	10	PBUR 2022/6 ST ...
25	30	13	25	70	531006	531013	6,300–9,400	12,500	10	PBUR 2530/6 ST ...
<b>Stainless steel wire (INOX)</b>										
Supplied with plastic-covered brush body. All INOX brushes are degreased.										
13	16	13	25	70	531020	-	6,000–9,800	15,000	10	PBUR 1316/6 INOX ...
20	22	13	25	70	531037	-	5,000–8,100	12,500	10	PBUR 2022/6 INOX ...
25	30	13	25	70	531044	-	5,000–8,100	12,500	10	PBUR 2530/6 INOX ...

## knotted



### PBGS, SINGLETWIST

Particularly flexible single-knot brush for special applications.



#### Advantages:

- Optimal access to hard-to-reach areas such as inside corners as the knot is less likely to unravel.

#### Recommendations for use:

- For optimum results, use on speed-adjustable tool drives.
- For the best results, use a tool drive with a minimum output of 300 watts.

#### Ordering notes:

- Please complete the description with the desired filament material diameter ( $D_f$ ).

D [mm]	D <sub>c</sub> [mm]	L <sub>T</sub> [mm]	L [mm]	D <sub>f</sub> [mm]			Opt. RPM	Max. RPM		Description
				0.20	0.35	0.50				
EAN 4007220										
<b>Steel wire (ST) – SINGLETWIST type</b>										
10	10	25	65	659267	659274	659281	5,000–7,500	10,000	10	PBGS 1010/6 ST ...
12	10	28	71	807002	-	-	5,000–7,500	10,000	10	PBGS 1210/6 ST ...
<b>Stainless steel wire (INOX) – SINGLETWIST type</b>										
Supplied with plastic-covered brush body. All INOX brushes are degreased.										
10	10	25	65	659298	659304	659311	4,000–6,500	10,000	10	PBGS 1010/6 INOX ...
12	10	28	71	807019	-	-	4,000–6,500	10,000	10	PBGS 1210/6 INOX ...