

C825 HSS-E



N

Z
8-12

λ 15°
 γ 15°

DIN
1835B



js16

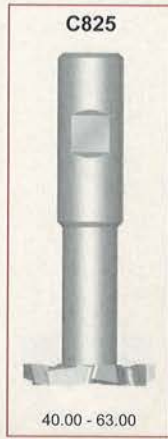
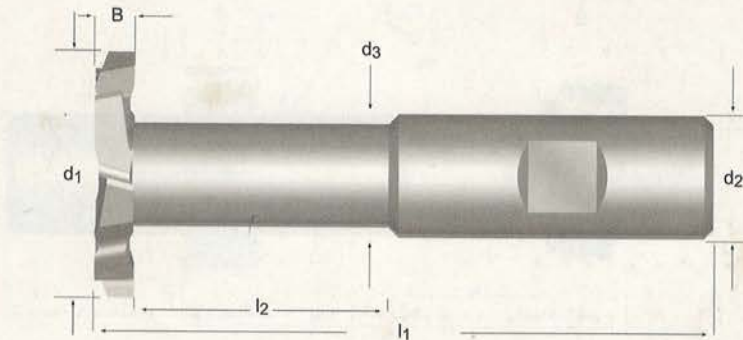


DORMER

C825

- T-slot Cutter
- Fresas de ranurar en "T"
- Fresa p/ Abrir Rasgos T
- Fraises pour rainures en T

C825	1.1	1.2	1.3	1.4	1.5	1.6	2.1	2.2	2.3	3.1	3.2	3.3	3.4	4.1	4.2	4.3	5.1	5.2	5.3	6.1	
	6.2	6.3	6.4	7.1	7.2	7.3	7.4	8.1	10.1												



B	d ₁ ∅	d ₃ ∅	l ₂	l ₁	d ₂ ∅h ₆	z	C825
mm	mm	mm	mm	mm	mm		
3	40	19.2	46	100	20	8	C8253.0X40.0
4	40	19.2	45	100	20	8	C8254.0X40.0
5	40	19.2	44	100	20	8	C8255.0X40.0
6	40	19.2	43	100	20	8	C8256.0X40.0
8	40	19.2	41	100	20	8	C8258.0X40.0
10	40	19.2	39	100	20	8	C82510.0X40.0
6	63	24.2	67	130	25	12	C8256.0X63.0
8	63	24.2	65	130	25	12	C8258.0X63.0
10	63	24.2	63	130	25	12	C82510.0X63.0
12	63	24.2	61	130	25	12	C82512.0X63.0
14	63	24.2	59	130	25	12	C82514.0X63.0
16	63	24.2	57	130	25	12	C82516.0X63.0
18	63	24.2	55	130	25	12	C82518.0X63.0