

C810

HSS



N

Z  
6-8

$\lambda$  12°  
 $\gamma$  10°

DIN  
1835D



d11

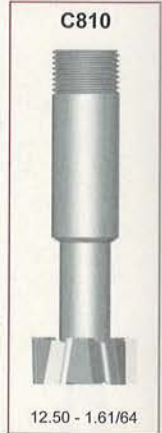
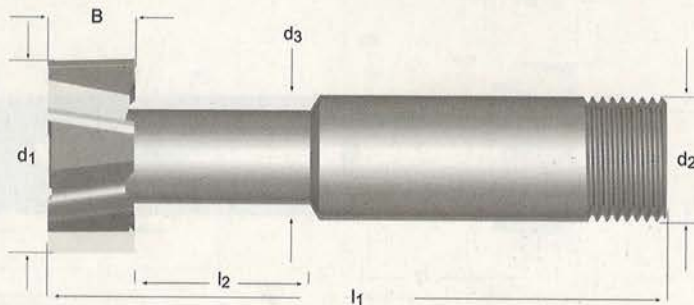


DORMER

## C810

- T-slot Cutter
- Fresas de ranurar en "T"
- Fresa p/ Abrir Rasgos T
- Fraises pour rainures en T

C810	▪	1.1	1.2	1.3	1.4	2.1	3.1	3.2	3.3	3.4	4.1	5.1	6.1	6.2	6.3	6.4	7.1	7.2	7.3	
	•	1.5	1.6	2.2	2.3	4.2	4.3	5.2	5.3	7.4	8.1	10.1								



B	B	d <sub>1</sub> Ø	d <sub>1</sub> Ø	T DIN650	d <sub>3</sub> Ø	l <sub>2</sub>	l <sub>1</sub>	d <sub>2</sub> Ø	d <sub>2</sub> Ø, -0.025	z	C810
Inch	mm	Inch	mm		mm	mm	mm	Inch	mm		
1/4	6.00		12.50	6.0	5.00	11	57.0		10.0	6	C8106.0
	6.35	37/64	14.68	1/4	6.35	14	60.5	1/2	12.7	6	C8101/4
	8.00		16.00	8.0	7.00	13	61.0		10.0	6	C8108.0
5/16	7.94	45/64	17.86	5/16	7.15	17	65.0	1/2	12.7	6	C8105/16
	8.00		18.00	10.0	8.00	17	65.0		12.0	6	C81010.0
	9.00		21.00	12.0	10.00	20	69.0		12.0	6	C81012.0
23/64	9.13	53/64	21.03	3/8	8.75	19	68.5	1/2	12.7	6	C8103/8
27/64	10.72	61/64	24.21	7/16	9.50	22	73.0	1/2	12.7	6	C8107/16
	11.00		25.00	14.0	12.00	23	79.0		16.0	6	C81014.0
15/32	11.91	1.5/64	27.38	1/2	11.90	24	76.0	1/2	12.7	6	C8101/2
	12.00		28.00	16.0	13.00	23	76.0		16.0	6	C81016.0
37/64	14.68	1.21/64	33.73	5/8	14.30	30	101.5	1"	25.4	8	C8105/8
	14.00		32.00	18.0	15.00	27	98.0		25.0	8	C81018.0
	16.00		36.00	20.0	17.00	30	100.0		25.0	8	C81020.0
11/16	17.46	1.33/64	38.50	3/4	17.45	35	109.5	1"	25.4	8	C8103/4
	18.00		40.00	22.0	19.00	33	108.0		25.0	8	C81022.0
51/64	20.24	1.45/64	43.26	7/8	20.65	40	117.5	1"	25.4	8	C8107/8
29/32	23.02	1.61/64	49.61	1"	23.80	47	127.0	1"	25.4	8	C8101